

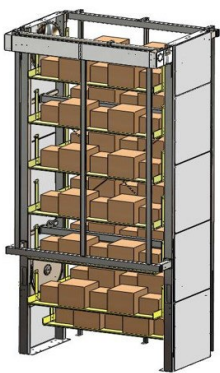
Go Vertical with Print Cylinder Carousels



- *Protect valuable print cylinders by getting them off the floor*
- *Designs available for hanging one, two, or three print cylinders*
- *Simple design and operation; easy to use controls*
- *Durable & aesthetic powder coated finish*
- *Cost effective storage solution*

A print cylinder storage carousel is helpful in these situations because it can maximize floor space to the greatest extent and make print cylinders accessible even when there's only a single operator.

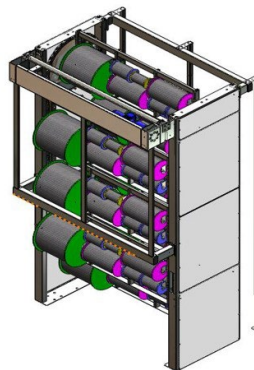
Printing plate cylinders can be difficult to lift and put into place. The right print cylinder storage solution can eliminate those related challenges and make the printing process that much easier to navigate and complete.



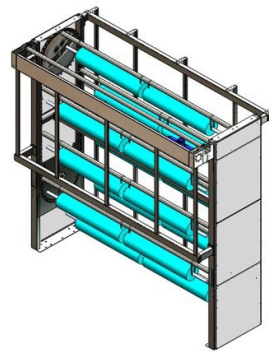
Shelving



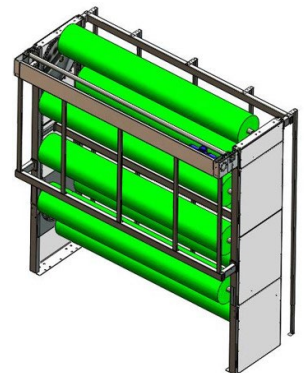
Tire



Spools



Print Cylinder



Rolls