

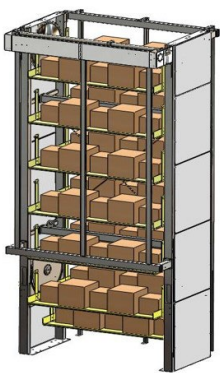
Go Vertical with Wire Spool Carousels



The Wire Carousel is a motorized system for storing and dispensing various materials on reels or spools vertically, optimizing overhead storage space.

It boosts available inventory by using overhead space effectively and improves efficiency with attachments for cutting, measuring, and re-rolling.

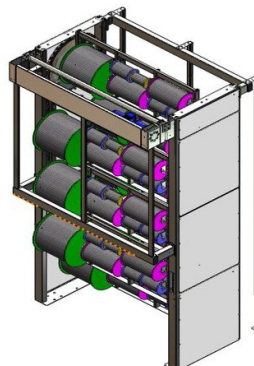
- **Flexibility:** It features an adjustable interior to accommodate changing inventory needs.
- **Inventory Boost:** Increases effective storage capacity and on-hand inventory by utilizing overhead space, making hard-to-reach storage locations easily accessible.
- **Safety:** Eliminates the need for ladders and hazardous retrieval methods, promoting workplace safety by presenting products at ergonomic



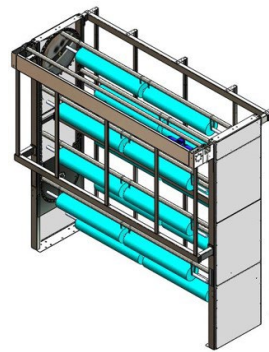
Shelving



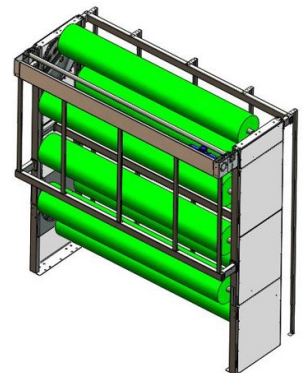
Tire



Spools



Print Cylinder



Rolls

American Specialty

800-466-9561
www.americanspecialty.biz